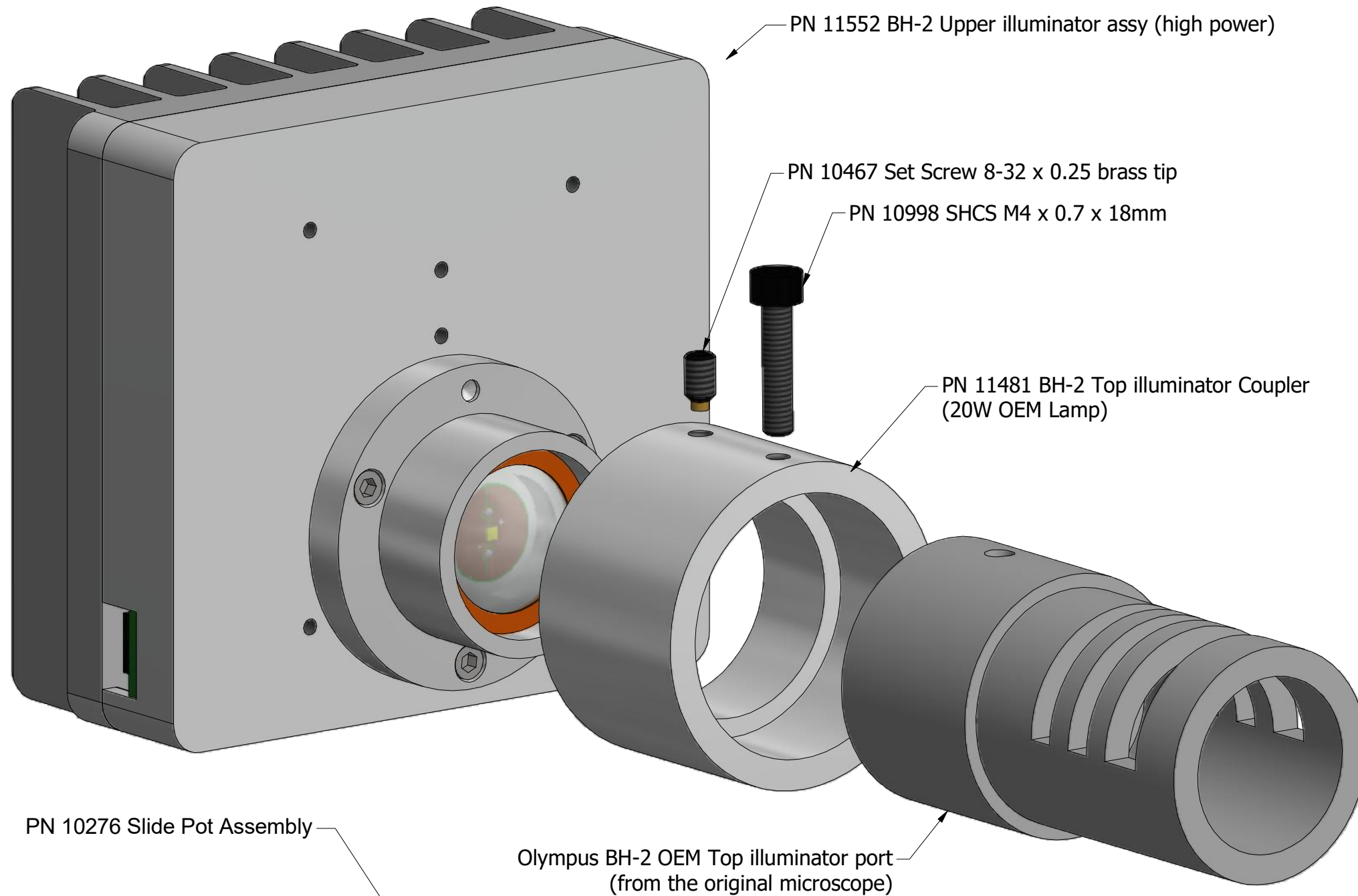


Nanodyne Replacement Illuminator for Olympus BH-2 Microscope Upper Illuminator (high power) - (20W OEM Lamp): Included Items



**Additional Items Included But Not Shown:**

- PN 10490 Hex Key 5/64 inch for set screw
- PN 10747 Hex Key 3mm long arm



PN 11163 Power Supply 5V 2.1A and  
PN 10734 Power Cable 1.35mm  
ID/3.5mm OD x USB A 6 ft.

The illuminator may be powered by plugging the cable into the power supply provided, or into a suitable USB port on a computer or other device.

Power supplies are subject to substitution without notice due to availability issues and changes in regulations.

PN 11002 Pot Cable Assy  
(48 inch)

Pot Knob from BH-2  
(save from microscope)

PN 10274 M3 x 0.5 x 6mm (2 pcs) (Part of PN 10276)

Han-Seung Yang	4/17/2020	
PN 11553 BH-2 Upper illuminator System (high power) - (20W OEM Lamp)		REV 1
SHEET 1 OF 1		